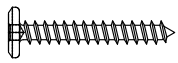


Assembly Instructions

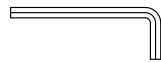
Alfresco Outdoor Kitchen

- Before you begin to assemble your new piece of furniture, please check to ensure that all parts have been supplied.
- Follow instructions closely as deviation from them may void your warranty and present a possible safety risk.
- It is recommended that assembly is done on a soft surface like carpet to avoid any damage.
- If you experience any problems with your new purchase please phone our Customer Service Hotline 1800 807 416 (Customers outside Australia should contact their closest Freedom store.

Hardware - Cabinet



14 x Part A
Screw M6 x 40mm



1 x Part B
Allen Key



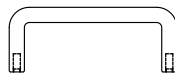
12 x Part C
Screw M3.5mm x 15mm



4 x Part D
Bolt M4 x 25mm

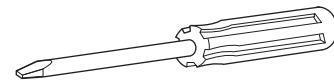


8 x Part E
Washer 10mm Dia



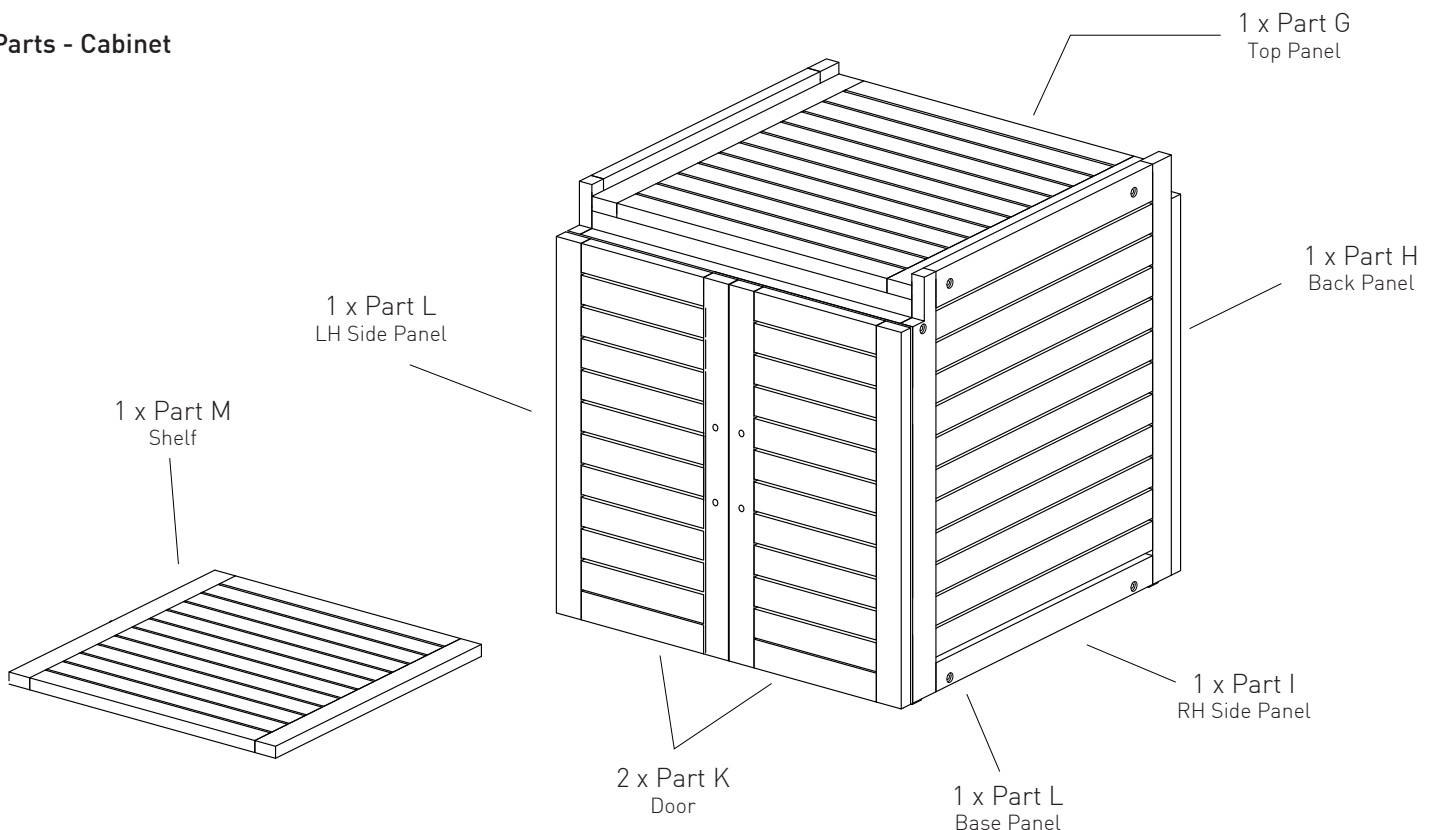
2 x Part F
Handle

Tool Required
(Not Supplied)



Screwdriver

Parts - Cabinet



Assembly Instructions

Alfresco Outdoor Kitchen

Hardware - Bench



16 x Part A
Hex Nut M8 x 6.5mm



16 x Part B
Washer 19mm Dia



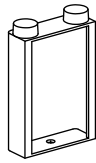
4 x Part C
Height Adjuster



1 x Part D
Spanner



2 x Part E
Hook



2 x Part F
Support / Height Adjuster

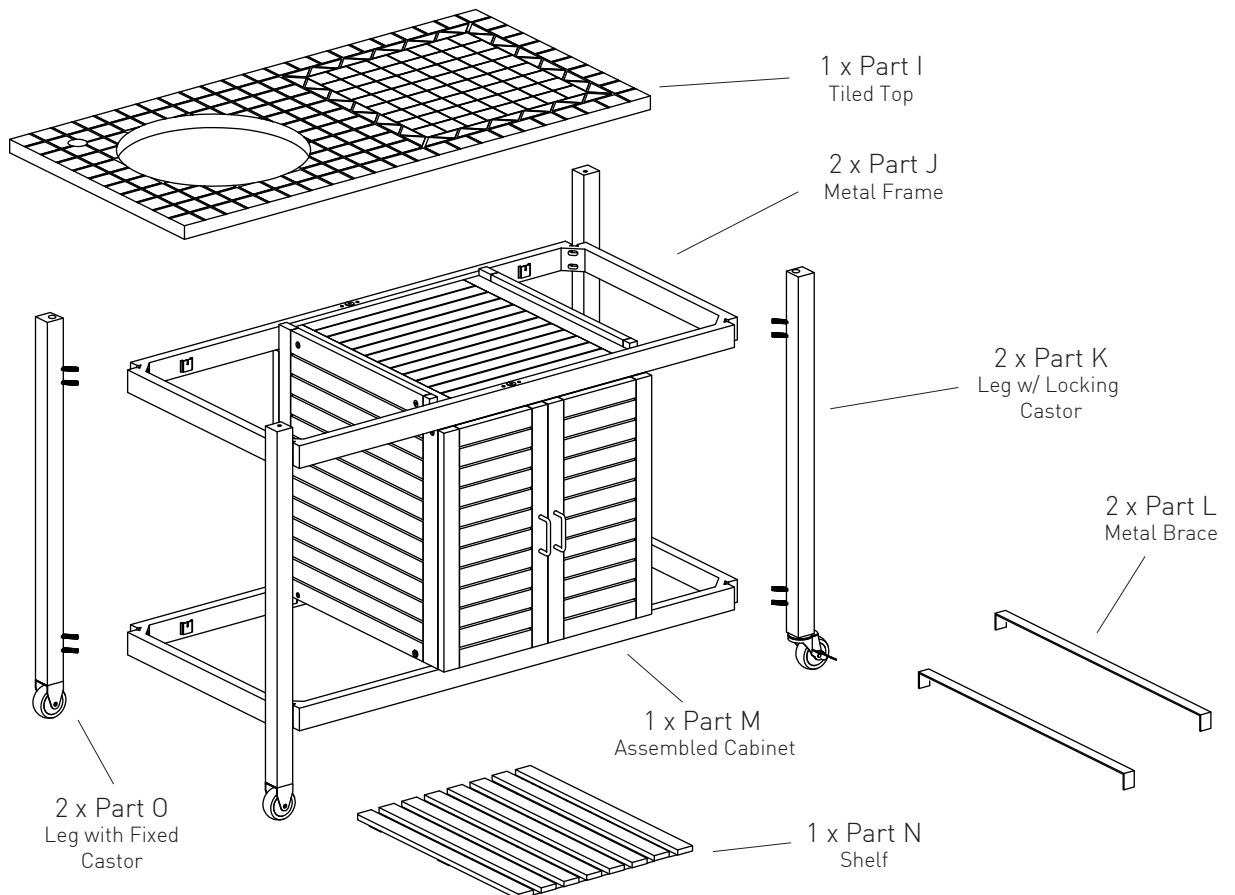


2 x Part G
Bolt M6 x 15mm



Part H
Allen Key

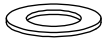
Parts - Bench



Assembly Instructions

Alfresco Outdoor Kitchen

Hardware - Sink



1 x Part A
Rubber Washer

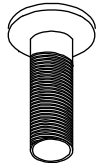


1 x Part B
Wing Nut



1 x Part C
Hose Clamp

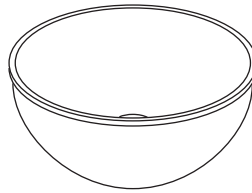
Parts - Sink



1 x Part D
Stainless Steel Pipe

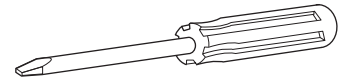


1 x Part E
Plastic Drain Hose



1 x Part F
Sink

Tool Required (Not Supplied)



Screwdriver

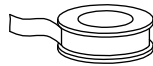
Hardware - Tap (Supplied)



1 x Part A
Rubber Washer

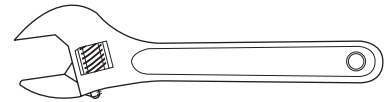


1 x Part B
Wing Nut



1 x Part C
Plumbing Tape

Tool Required (Not Supplied)



Large Shifting Spanner
or Similar Tool

Hardware - Tap (Not Supplied)

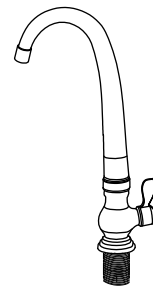


1 x Part D
Brass Bush Hexagon Reducer
25 x 15mm
(Ryemetal Model No1913 -1)
This Bush can be purchased
from Bunnings Warehouse



1 x Part E
Garden Hose Adaptor 25mm
This Adaptor can be
purchased from a hardware store

Parts - Tap

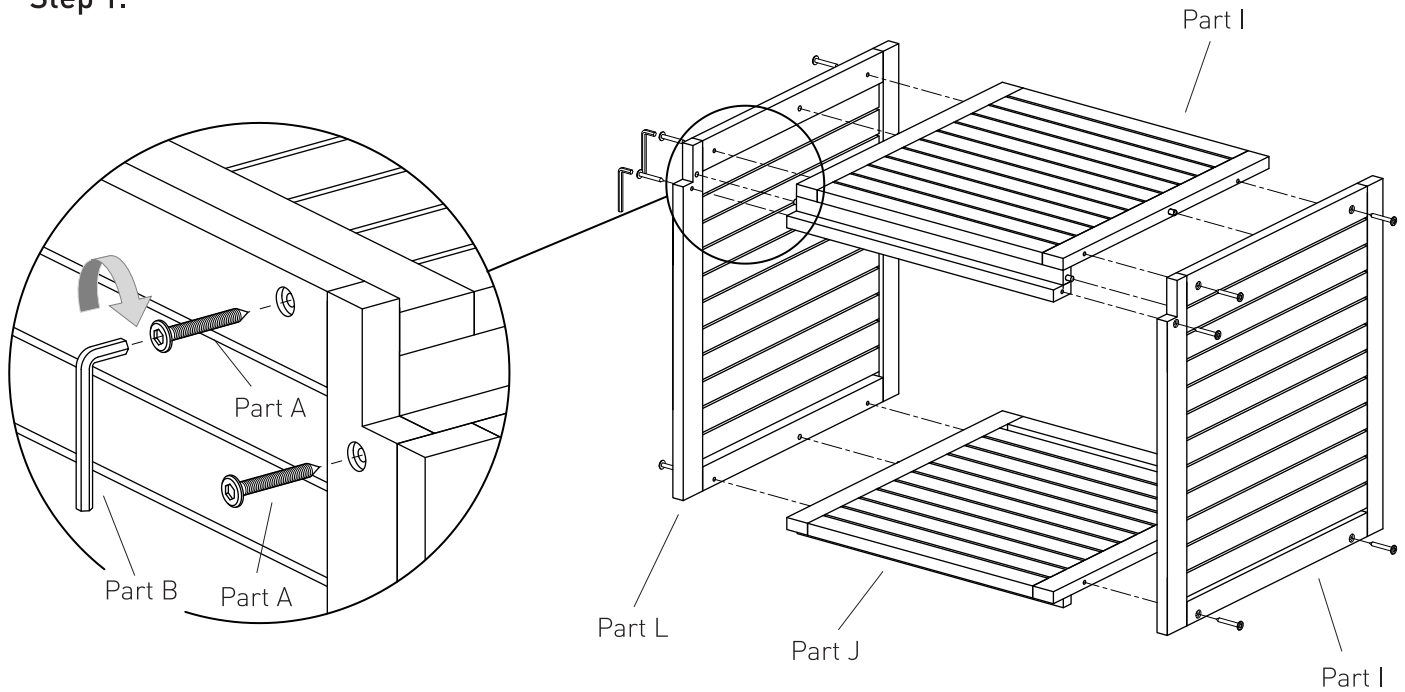


1 x Part F
Tap

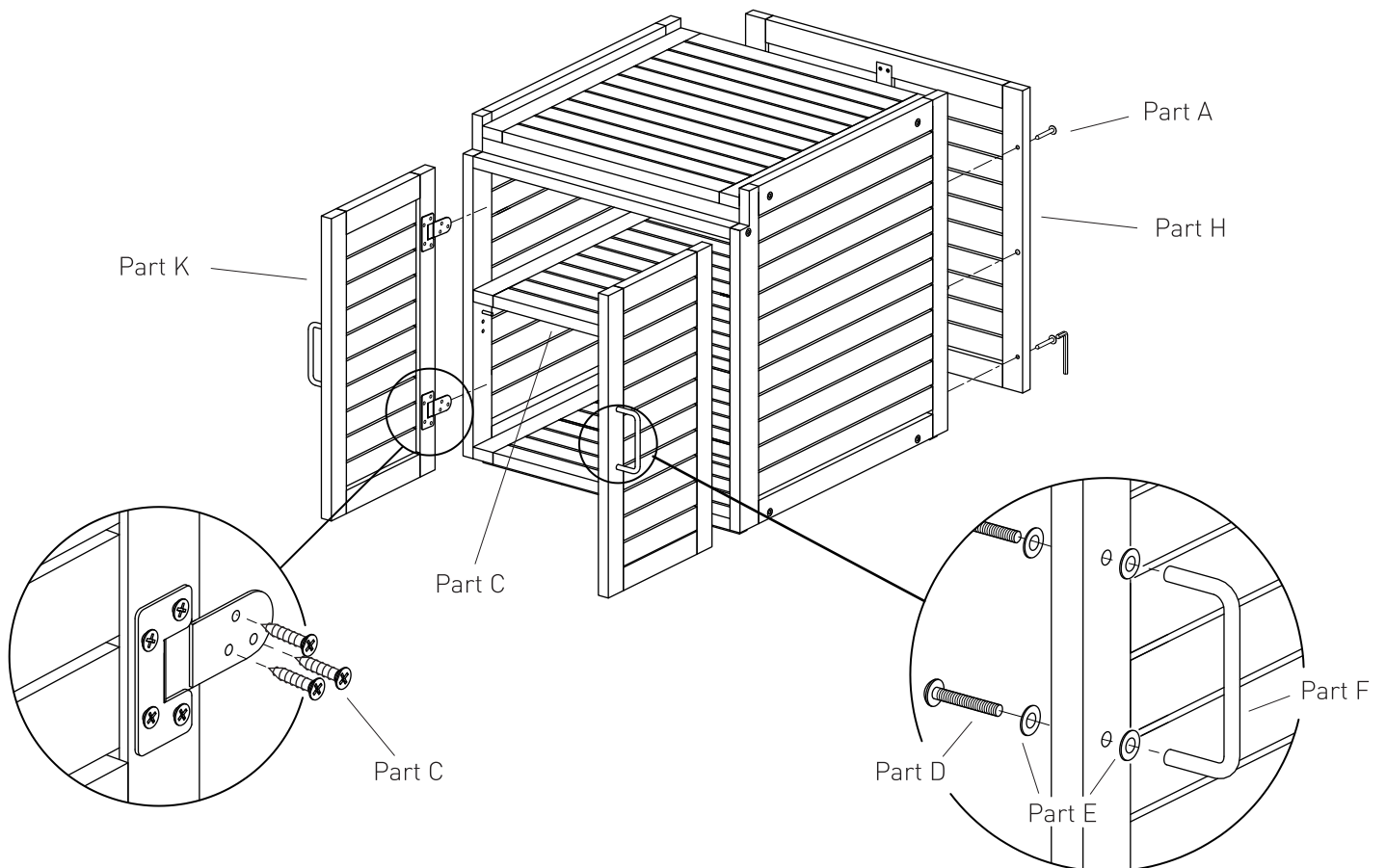
Assembly Instructions

Alfresco Outdoor Kitchen

Cabinet Assembly Step 1.



Step 2.



Assembly Instructions

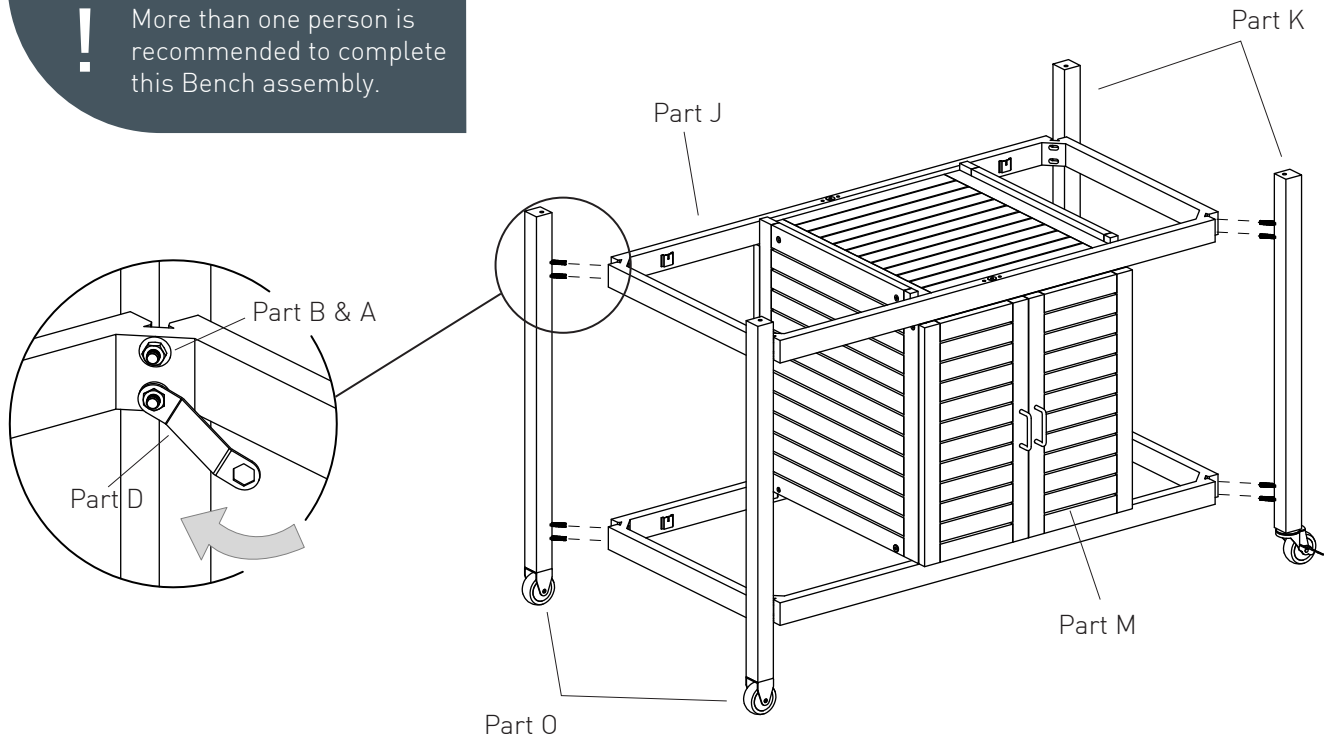
Alfresco Outdoor Kitchen

Bench Assembly

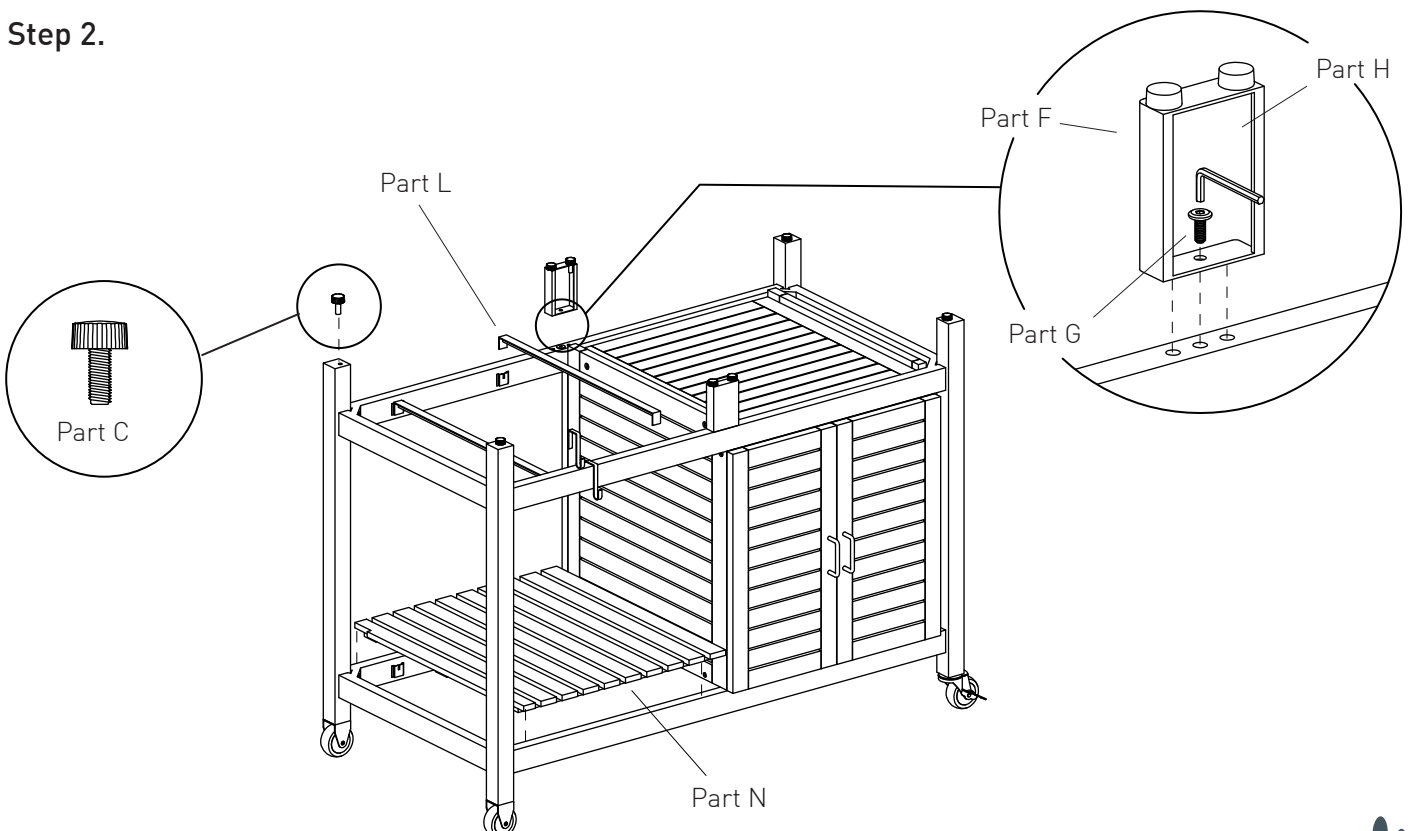
Step 1.



More than one person is recommended to complete this Bench assembly.



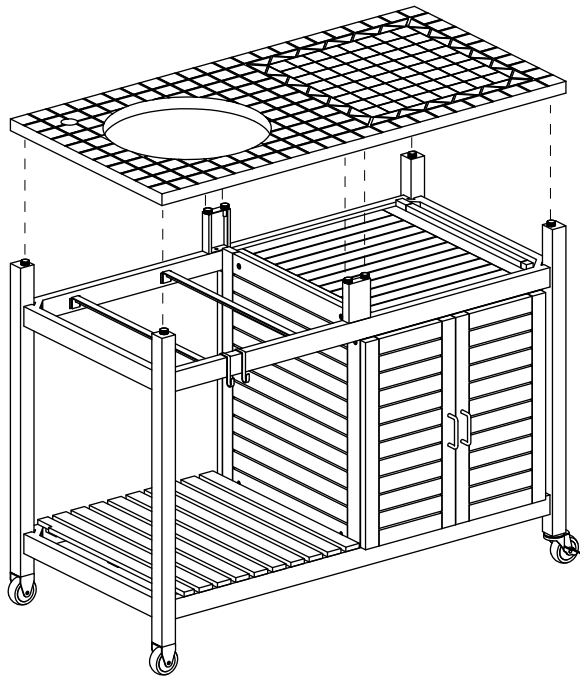
Step 2.



Assembly Instructions

Alfresco Outdoor Kitchen

Step 3.



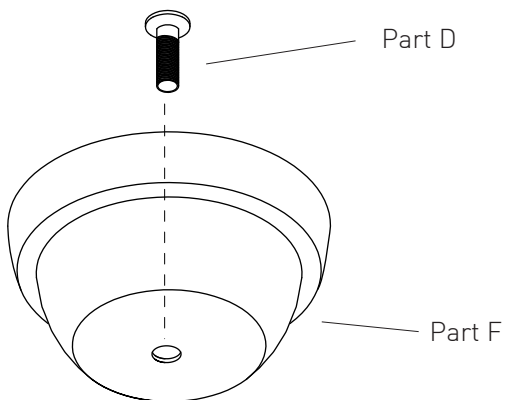
Part I



Part C

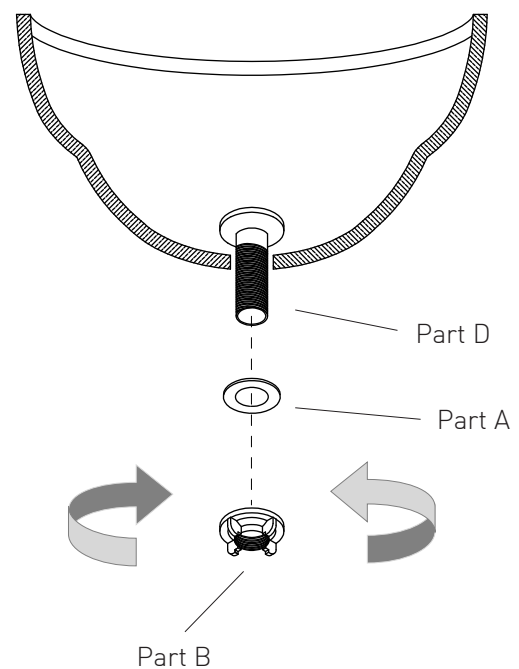
Turn Part C clockwise or anti-clockwise to ensure Part I is level.

Sink Assembly Step 1.



Part D

Part F



Part D

Part A

Part B

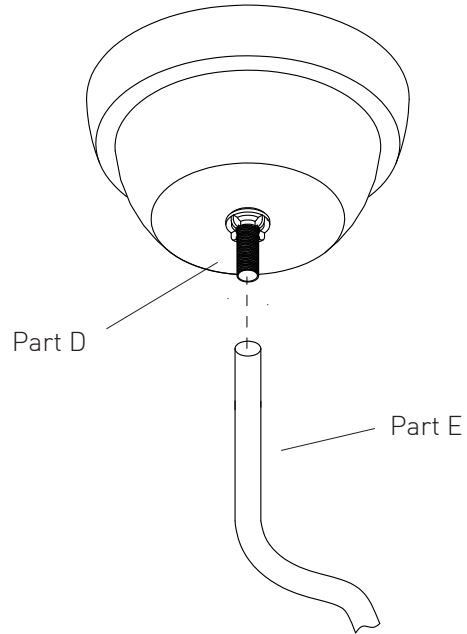
Assembly Instructions

Alfresco Outdoor Kitchen

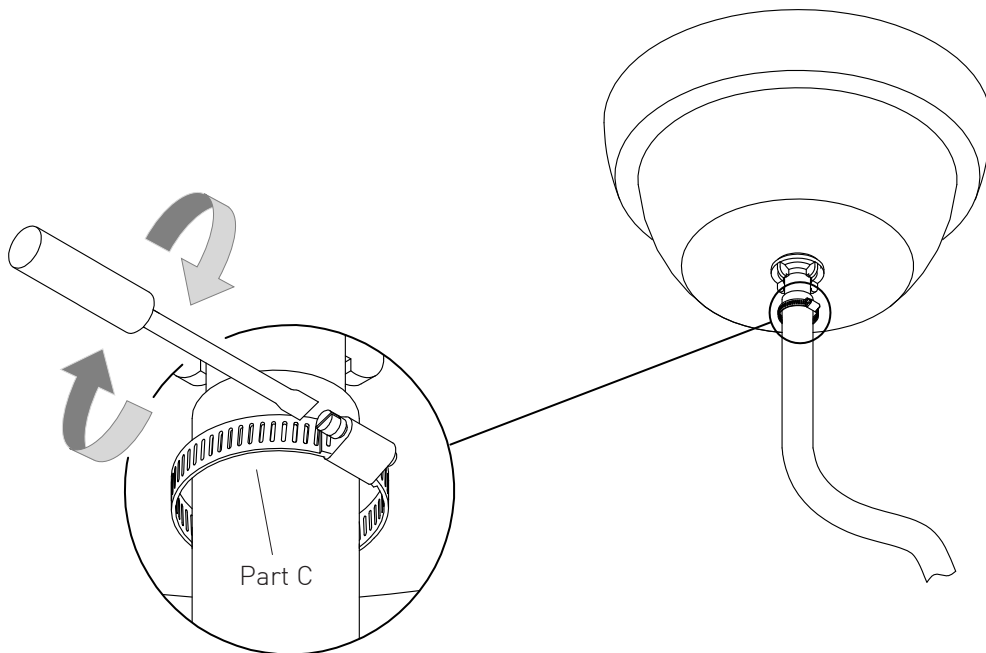
Step 2.



Place the end of Part E (Drain Hose) in hot water for 20 seconds to allow it to fit over Part D (Pipe).



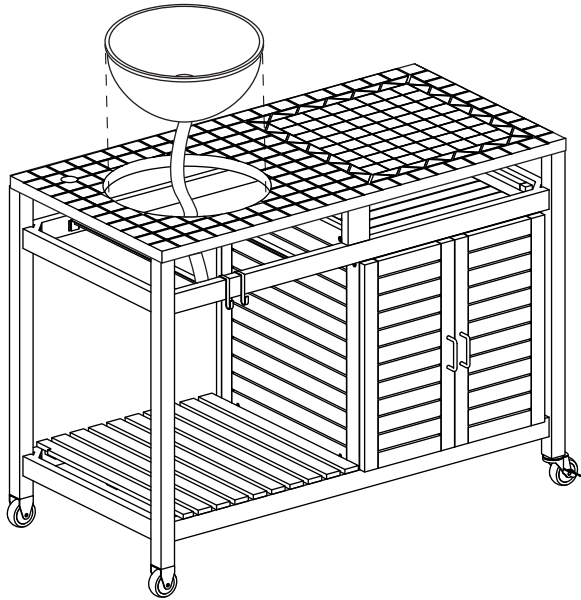
Step 3.



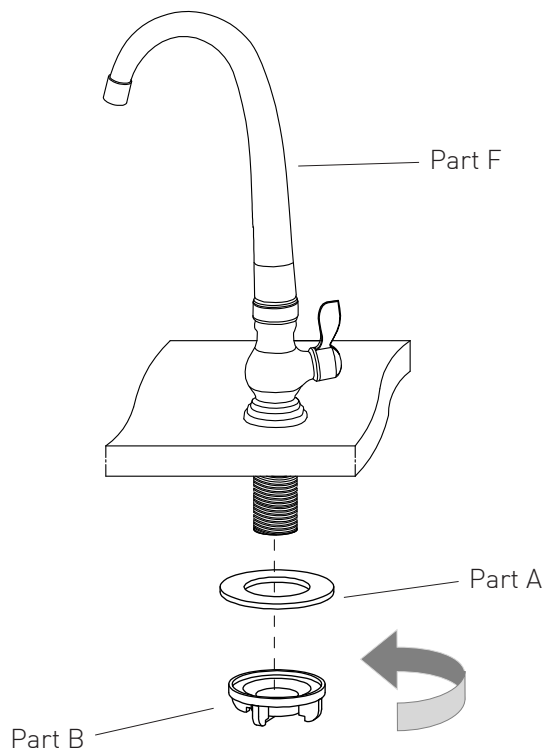
Assembly Instructions

Alfresco Outdoor Kitchen

Step 4.



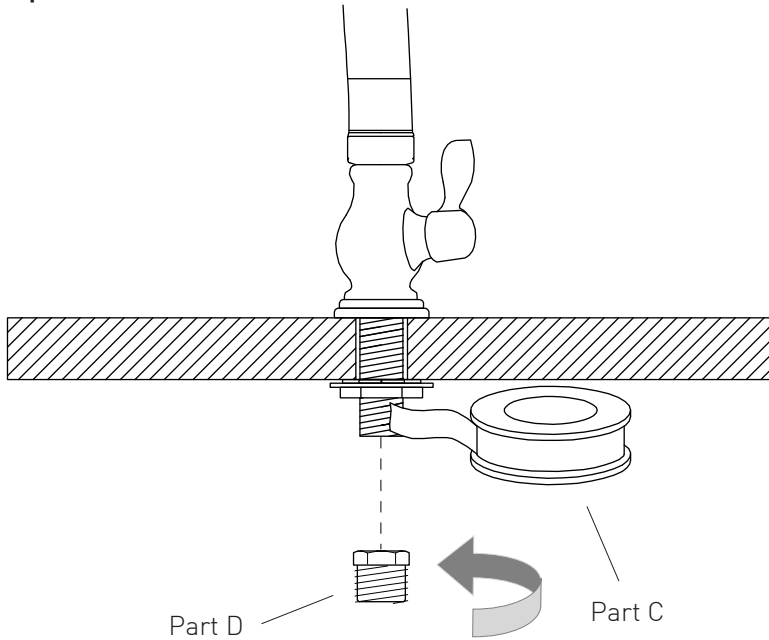
Tap Assembly
Step 1.



Assembly Instructions

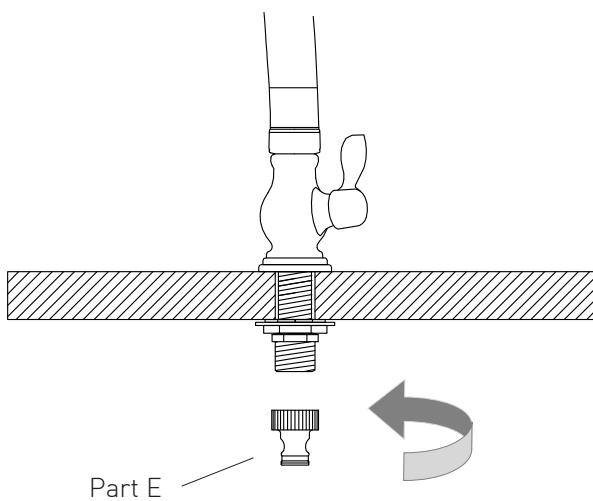
Alfresco Outdoor Kitchen

Step 2.

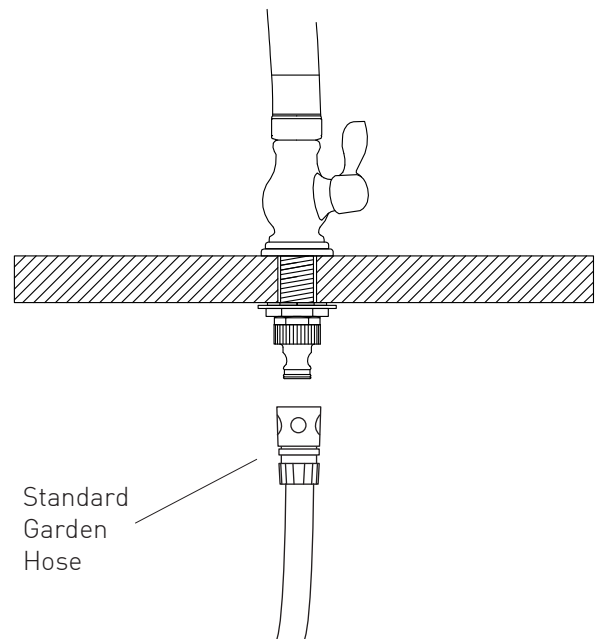


Wrap Part C (Plumbing Tape) around Part F (Tap) to stop water leaks

Step 3.



Step 4.



Care Information

Alfresco Outdoor Kitchen

General Care

Periodically check and retighten all fasteners. Wipe down all surfaces using a clean cloth weekly.

Table Top Care

The mosaic table top is hand made using glazed, clay tiles. The top is finished with a surface treatment to resist fading, dirt and water, making it weather proof.

Wash down the table top using warm, soapy water.

Never store table top on its side as this will damage the tiles.

Care Information

Alfresco Outdoor Kitchen

Each table top comes with a repair kit to allow you to change or repair a damaged tile.

Contents of Repair Kit

1. Fine grit sandpaper
2. Bag of crushed tile (pink colour)
3. Bag of grit mix (grey colour)
4. Replacement tiles

NOTE: Superglue is required to complete repair work.

Changing a Tile

1. Remove the damaged tile.
2. Clean the surface.
3. Following the instructions on the tube, apply super glue to the back of the tile. Press the tile firmly into position for 5 seconds.
4. Mix the small bag of grit mix (grey) with 1:1 water.
5. Fill up the gap around the tile using the mixture of grit and water.
6. Scrape off any excess grit so that it is level with the tiles.
7. Wipe tile with a damp sponge or cloth, being careful not to disturb the grit.
8. Allow to dry for 12 hours. If the grit appears to be rough, it can be lightly sanded using the sandpaper supplied.

Repairing a Crack or a Hole in the Tile

1. Clean the area that needs to be repaired.
2. After ensuring that the area is dry, apply super glue to the hole or crack (following the directions on the tube).
3. Sprinkle the content of the crushed tile bag (pink colour) to fill the hole or crack.
4. Add a little super glue to the surface.
5. Sprinkle a fine layer of crushed tile grit on top.
6. Wait 15 minutes then sand the surface using the sandpaper .